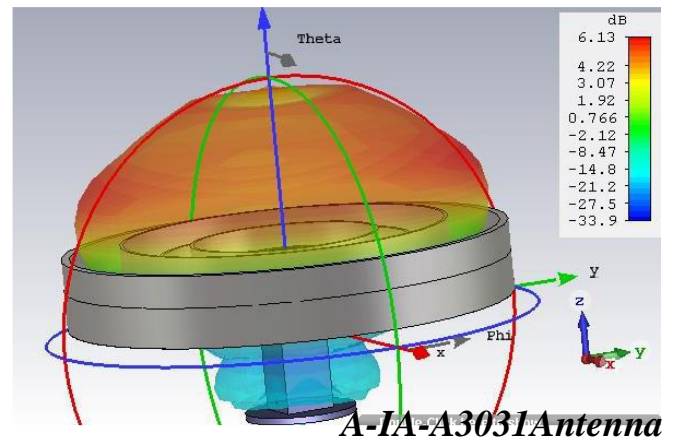




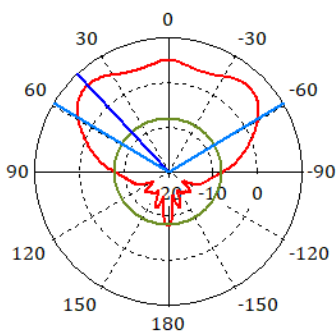
# ISOFLUX ANTENNA A-IA-A3031

## Specification

Frequency range	~7.5 GHz-8.7 GHz
Polarization	LHCP & RHCP
Maximum Gain	~ 6dBic
HPBW ( $\phi=0,90$ )	(118, 118)
VSWR	<2
Generated pattern(s)	Isoflux
Feed type	Waveguide/SMA
Dimensions (Diameter x height)	114x65mm
Efficiency	>90%



Farfield Gain Abs (Phi=90)

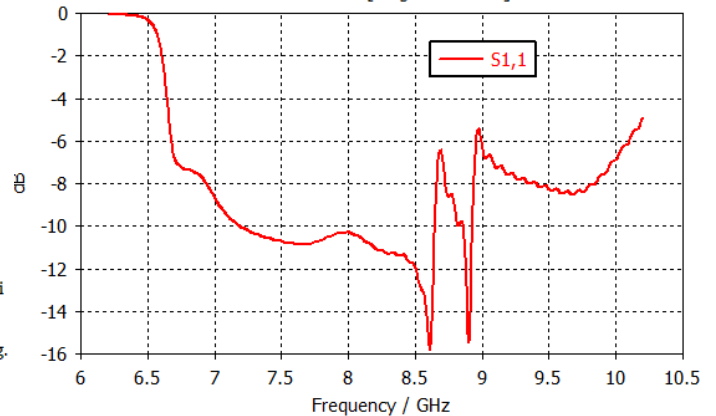


Theta / Degree vs. dBi

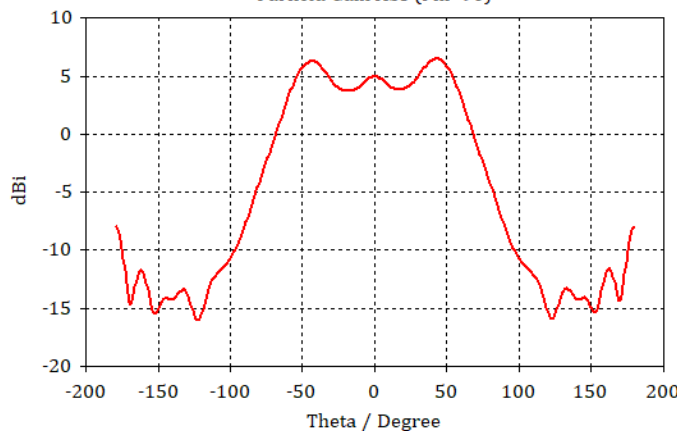
— farfield (f=08.2000) [1]

Frequency = 8.2 GHz  
 Main lobe magnitude = 6.46 dBic  
 Main lobe direction = 43.0 deg.  
 Angular width (3 dB) = 118.0 deg.  
 Side lobe level = -14.4 dB

S-Parameters [Magnitude in dB]



Farfield Gain Abs (Phi=90)



— farfield (f=08.2000) [1]

Frequency = 8.2 GHz  
 Main lobe magnitude = 6.46 dBic  
 Main lobe direction = 43.0 deg.  
 Angular width (3 dB) = 118.0 deg.  
 Side lobe level = -14.4 dB

